

Trucking crane combination  
Acoplamiento grúa con vehículo

|          |    |
|----------|----|
| PTT/GVW  | 32 |
| 26,0 ton |    |
| 32,0 ton |    |
| 44,0 ton |    |



PTT: G.V.W. - Peso total del vehículo

|        | 32022  | 32023  | 32024  | 32025  | 32026  | 32024+J62 | 32024+J63 | 32025+J62 | 32025+J63 | 32026+J12L | 32026+J53L |
|--------|--------|--------|--------|--------|--------|-----------|-----------|-----------|-----------|------------|------------|
| A (mm) | 2490   | 2490   | 2490   | 2490   | 2500   | 2500      | 2500      | 2500      | 2500      | 2650       | 2650       |
| A (ft) | 8'2"   | 8'2"   | 8'2"   | 8'2"   | 8'2"   | 8'2"      | 8'2"      | 8'2"      | 8'2"      | 8'8"       | 8'8"       |
| B (ft) | 10'50" | 10'50" | 10'50" | 11'70" | 11'70" | 2540      | 2540      | 2550      | 2550      | 2340       | 2490       |
| B (ft) | 3'5"   | 3'5"   | 3'5"   | 3'10"  | 3'10"  | 8'4"      | 8'4"      | 8'4"      | 8'4"      | 7'8"       | 8'1"       |
| C (mm) |        |        |        |        |        | 2500      | 2500      | 2500      | 2500      | 2650       | 2650       |
| C (ft) |        |        |        |        |        | 8'2"      | 8'2"      | 8'2"      | 8'2"      | 8'8"       | 8'8"       |
| D (ft) |        |        |        |        |        | 2540      | 2540      | 2550      | 2550      | 2340       | 2490       |
| D (ft) |        |        |        |        |        | 8'4"      | 8'4"      | 8'4"      | 8'4"      | 7'8"       | 8'1"       |

|   | 32022   | 32023  | 32024  | 32025  | 32026  | 32024+J62 | 32024+J63 | 32025+J62 | 32025+J63 | 32026+J12L | 32026+J53L |        |      |
|---|---|--------|--------|--------|--------|-----------|-----------|-----------|-----------|------------|------------|--------|------|
| <b>Maximum lifting moment</b><br>Momento de elevación máxima                  | ft lbs 226210 216450 206860 192040 188780         |        |        |        |        |           |           |           |           |            |            |        |      |
| <b>Maximum hydraulic reach</b><br>Alcance hidráulico                          | horizontal - horizontal                           |        |        |        |        |           |           |           |           |            |            |        |      |
|   | ft  | 27'3"  | 33'4"  | 39'1"  | 46'3"  | 52'10"    | 56'9"     | 62'4"     | 63'8"     | 69'3"      | 69'11"     | 77'11" |      |
|   | ft  | 38'5"  | 44'5"  | 50'10" | 57'1"  | 63'12"    | 67'11"    | 73'6"     | 74'4"     | 79'7"      | 81'0"      | 89'1"  |      |
| <b>Maximum reach with manual extensions</b><br>Alcance con prolongas manuales | horizontal - horizontal                           |        |        |        |        |           |           |           |           |            |            |        |      |
|   | ft  | -      | -      | 63'8"  | 70'6"  | 71'2"     | 73'4"     | 73'4"     | 80'5"     | 80'5"      | 74'10"     | -      |      |
|   | ft  | -      | -      | 75'6"  | 81'0"  | 82'8"     | 81'4"     | 81'4"     | 87'9"     | 87'9"      | 87'9"      | -      |      |
| <b>Hydraulic system - Sistema hidráulico</b>                                  | recommended oil flow - caudal requerido           |        |        |        |        |           |           |           |           |            |            |        |      |
|   | gals/min  | 12     | 12     | 12     | 12     | 12        | 12        | 12        | 12        | 12         | 12         |        |      |
|   | rated pressure - presión máxima                   | Psi    | 3990   | 3990   | 3920   | 3920      | 3770      | 3920      | 3920      | 3920       | 3770       | 3770   |      |
|   | tank capacity - capacidad del depósito de aceite  | Gals   | 40     | 40     | 40     | 40        | 40        | 40        | 40        | 40         | 40         | 40     |      |
| <b>Slewing system - Sistema de giro</b>                                       | slewing angle - ángulo de giro                    |        |        |        |        |           |           |           |           |            |            |        |      |
|   | °   | 410    | 410    | 410    | 410    | 410       | 410       | 410       | 410       | 410        | 410        |        |      |
|   | slewing moment - momento de giro                  | ft lbs | 28030  | 28030  | 28030  | 28030     | 28030     | 28030     | 28030     | 28030      | 28030      |        |      |
|   | max. working heel - inclinación máxima de trabajo | %(°)   | 8,7(5) | 8,7(5) | 8,7(5) | 8,7(5)    | 8,7(5)    | 0         | 0         | 0          | 0          |        |      |
| <b>Standard crane weight - Peso de la grúa est</b>                            | Empty oil tank - depósito de aceite vacío         |        |        |        |        |           |           |           |           |            |            |        |      |
|   | LC version - LC version                           | lbs    | 7275   | 7606   | 7915   | 8220      | 8510      | 9149      | 9392      | 9485       | 9700       | 9171   | 9700 |
|   | Empty oil tank - depósito de aceite vacío         | lbs    | 7584   | 7915   | 8223   | 8532      | 8818      | -         | -         | -          | -          | -      |      |

All PM Cranes are covered by international insurance policy for civil liability third party.

Todas las grúas PM cuentan con una póliza de seguros internacional contra las responsabilidades civiles hacia terceros.

Technical data can be revised without prior notice. Reservado el derecho de modificaciones.

Cod. 836.639 ED. '07



CLASSIC



Brought to you by:  
Robert's Diesel Works Inc.  
906 West Gore St.  
Orlando, FL 32805  
407-246-1597

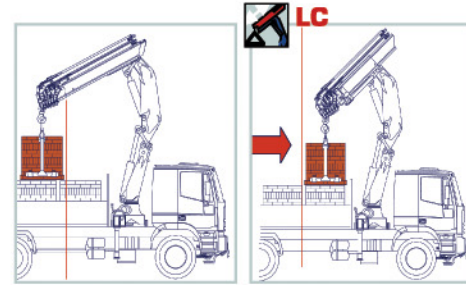






- Up to 6 hydraulic extensions available.
- Disponible hasta 6 extensiones hidráulicas.

- Jib with 2 and 3 extensions on 4, 5 and 6 extension crane version.
- Jib con 2 y 3 extensiones en la grúa del model con 4, 5 y 6 extensiones.



- PM crane in LC version, with first hydraulic retractable boom, optimizes the load positioning close to the column, and makes easy the placement of heavy and bulky loads.
- En la versión LC, el primero brazo se recoge hidráulicamente, así que permite de elevar, mover y también colocar material pesado y de grande tamaño cerca de la columna.

**EN12999**

**IN ACCORDANCE TO THE EU SAFETY STANDARDS  
CONFORME CON LAS NORMAS DE SEGURIDAD EU**

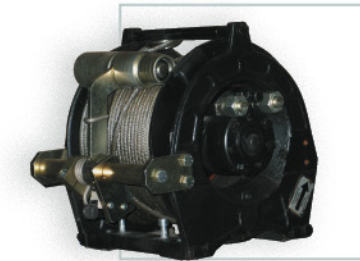
- Manual extensions on crane and jib with LMU device (opt).
- Prolongas manuales sobre la grúa y antenas con dispositivo LMU (opt).

- Stabilizers with hydraulic extension, extendable up to 21'4" ft.
- Brazos estabilizadores con extensión hidráulica que ofrecen un alcance máximo de 6,5 m.

**ACCESSORIES - ACCESORIOS**



Scanreco/Hetronic multifunction radio control.  
Radiocontrol multifunción Scanreco/Hetronic.



Hydraulic winches with a capacity ranging from 3530 lbs up to 4410 lbs on cranes  
Cabrestantes hidráulicos de 1600 kg a 2000 kg en grúa



Heat exchanger  
Cambiador de calor



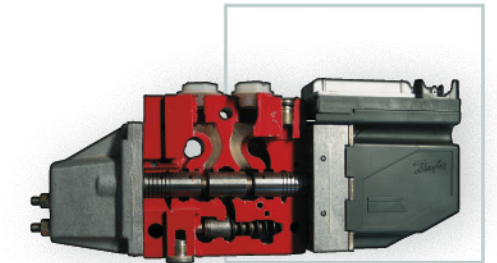
Raised control station: maximum angle of visibility  
Puesto de maniobra en pie: máximo ángulo de visibilidad.

**[3]**

**3 YEARS OF WARRANTY ON THE STRUCTURAL PARTS  
3 AÑOS DE GARANTÍA POR LAS PARTES ESTRUCTURALES**

**PQS**

**CERTIFIED PAINTING QUALITY SYSTEM  
SISTEMA DE BARNIZADO DE CALIDAD CERTIFICADA**



Danfoss proportional hydraulic control valve block.  
Distribuidor hidráulico proporcional Danfoss.



Activations powered by means of hose winder  
Activaciones alimentadas con arrolladores de tubos

**[IA]**

**DECLARATION OF CONFORMITY OF THE MANUFACTURER  
DECLARACIÓN DE CONFORMIDAD DEL PRODUCTOR**

Slewing by rack  
Rotación con cremallera de giro

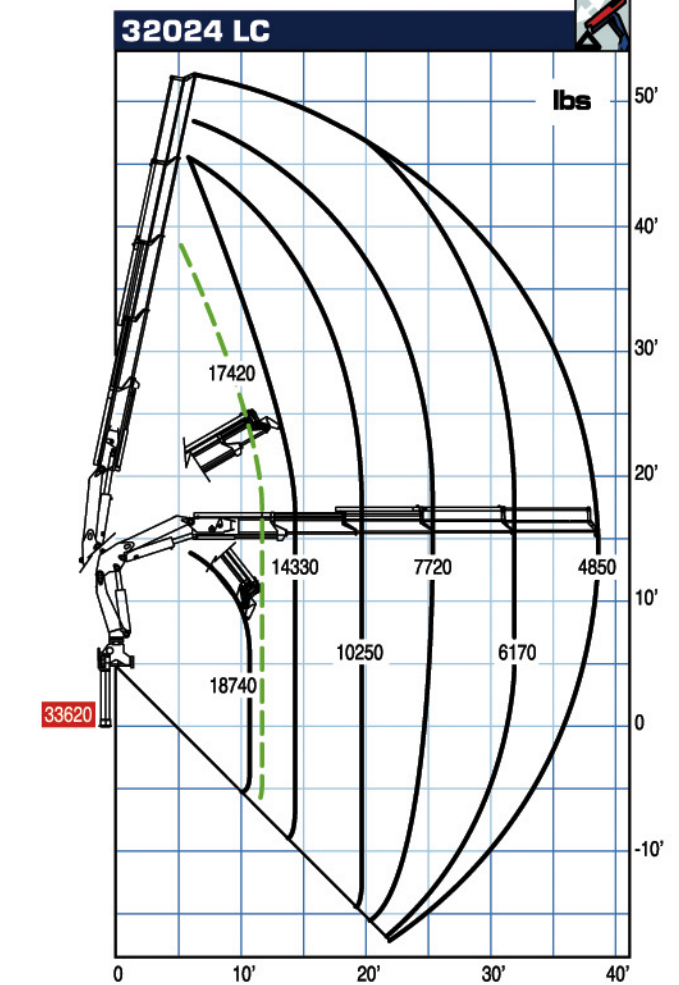
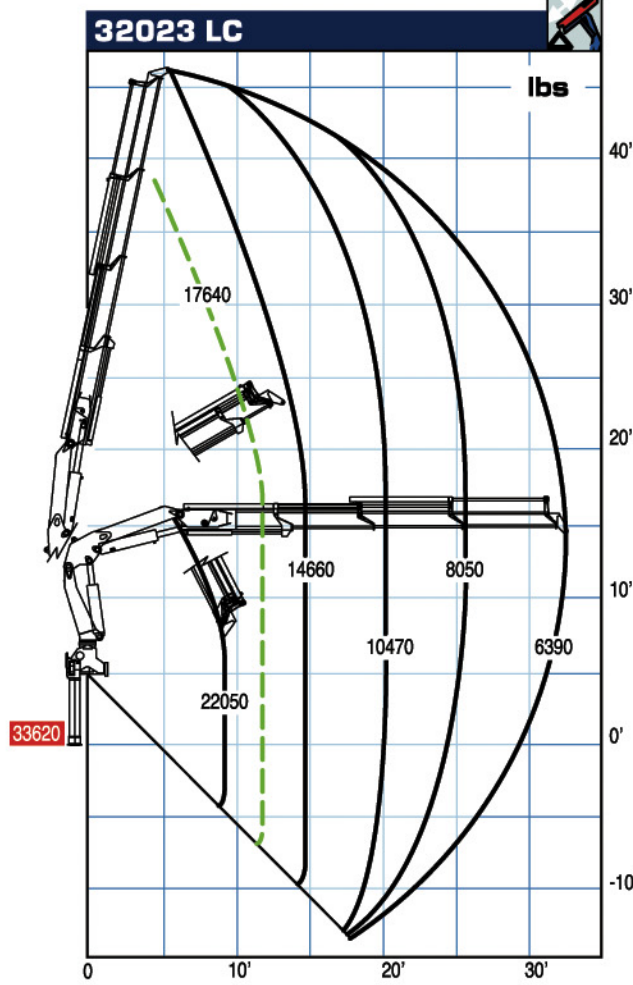
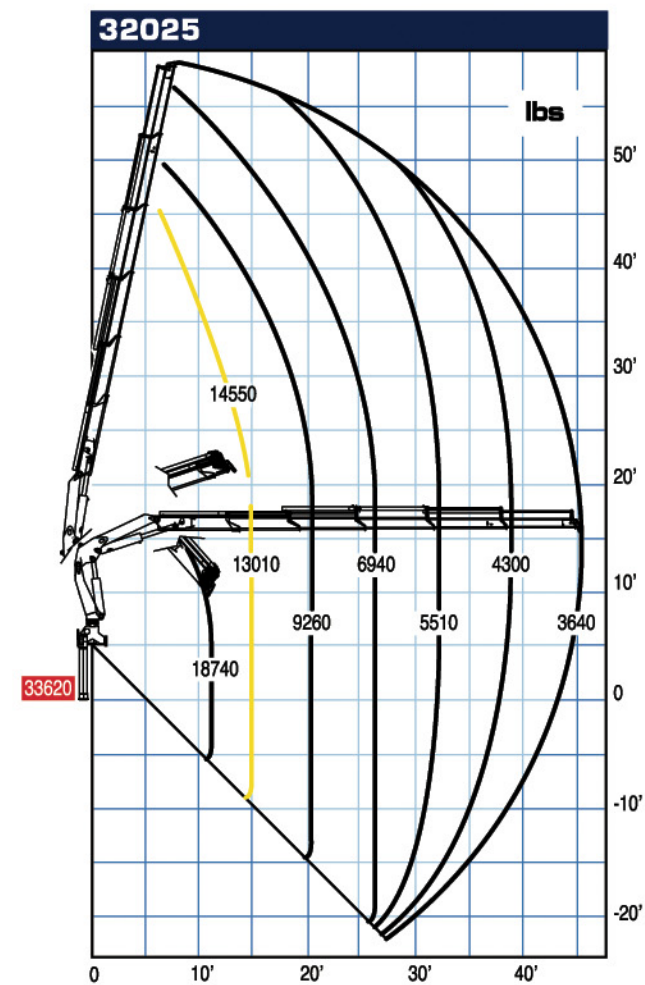
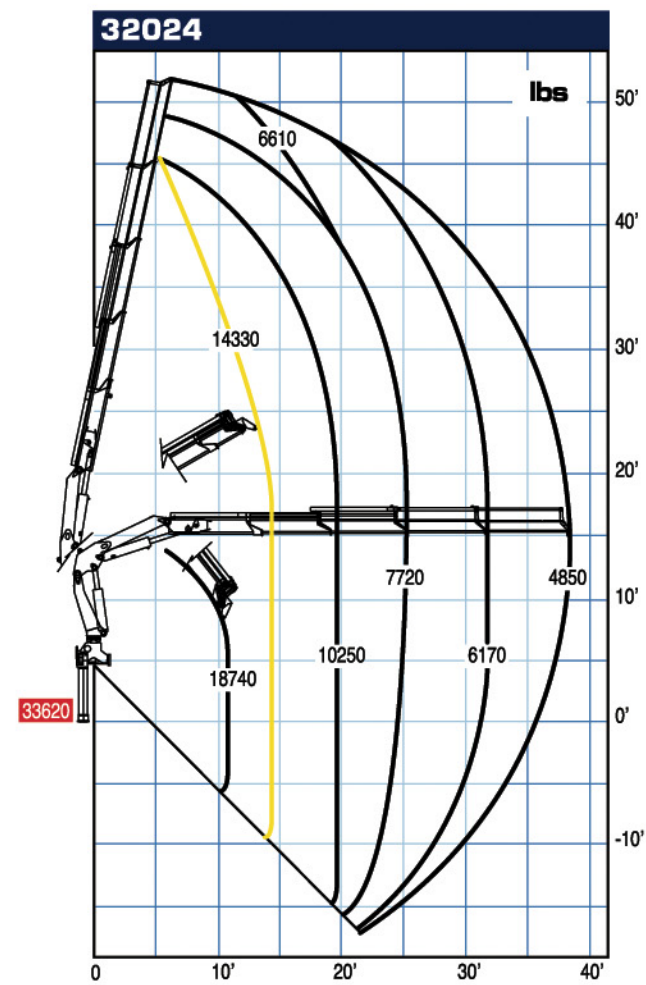
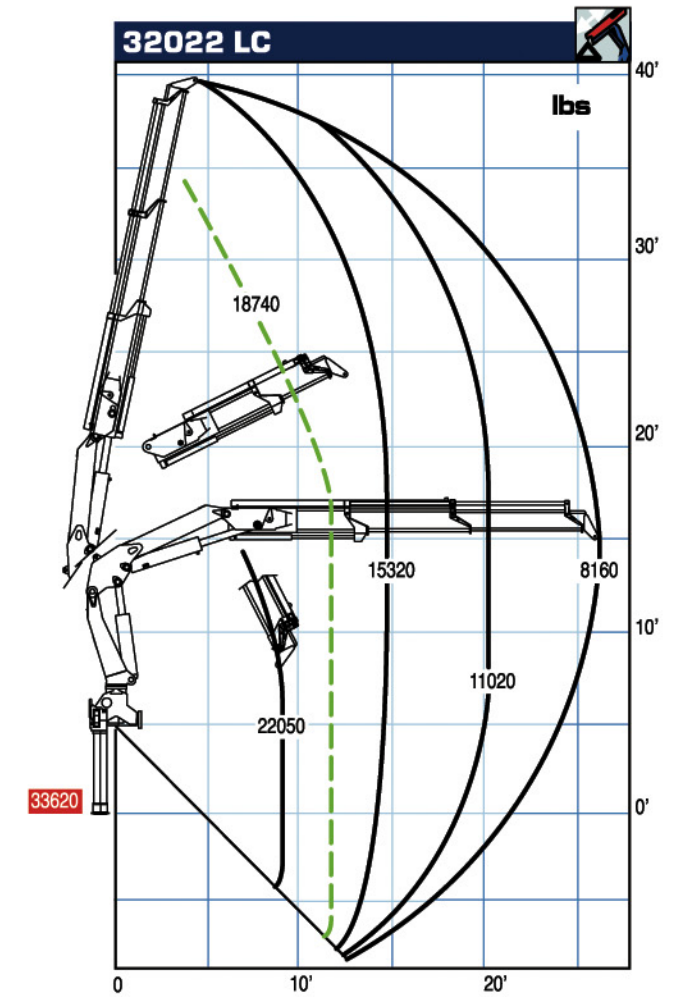
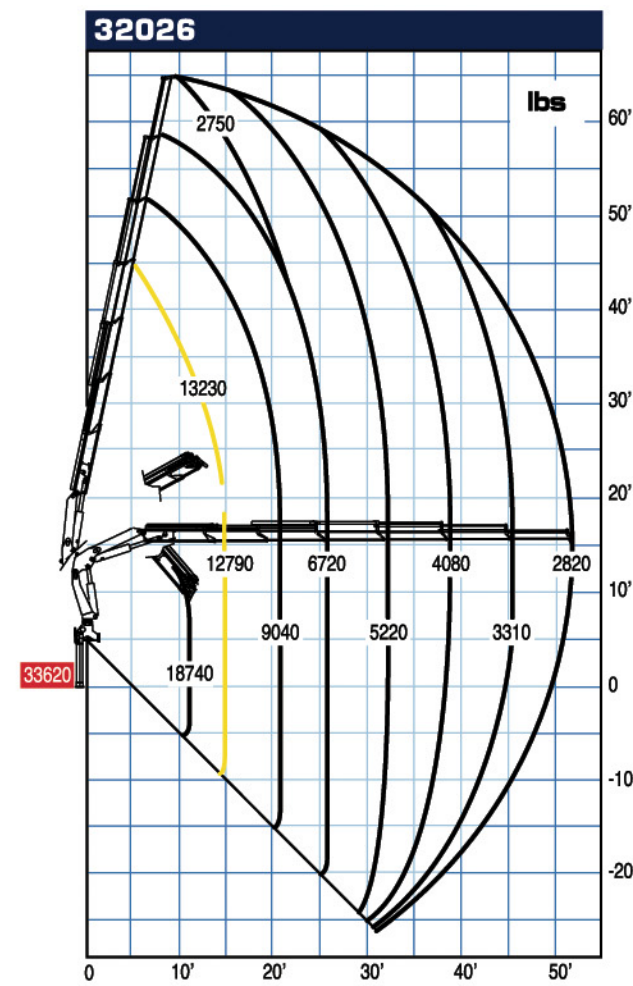
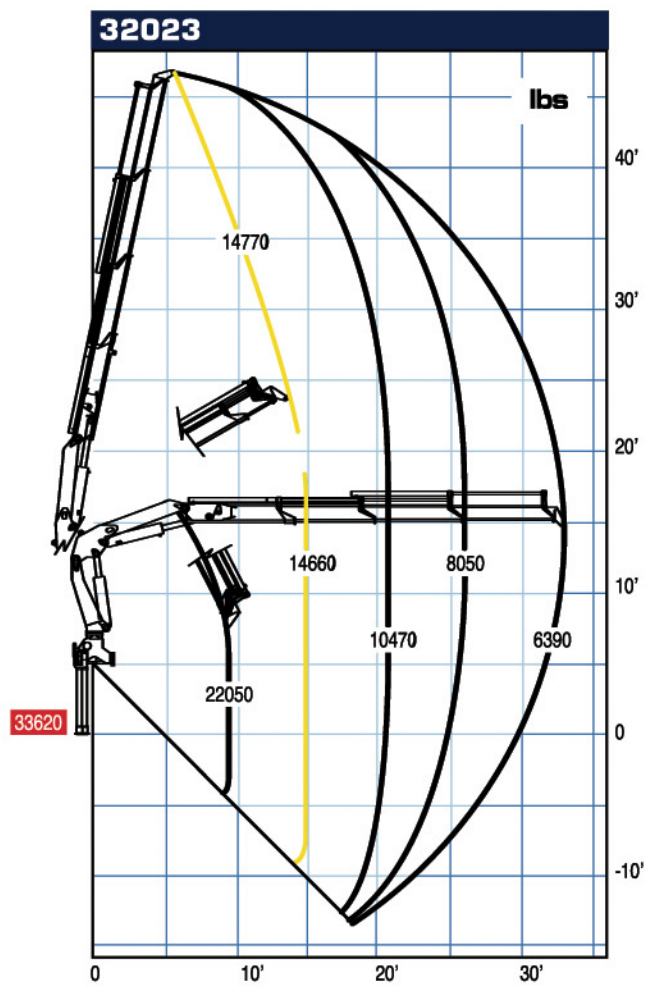
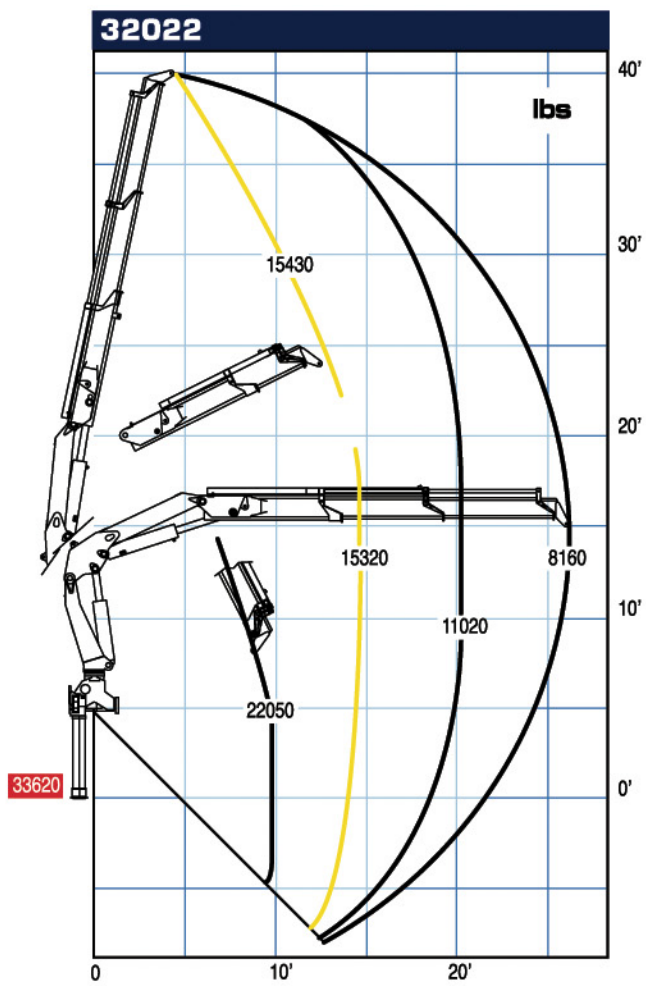
LC execution  
Configuración LC

Hydraulic outrigger booms  
Brazos estabilizadores a salida hidraulica

Extension sequence boom  
Salida secuencial de los brazos

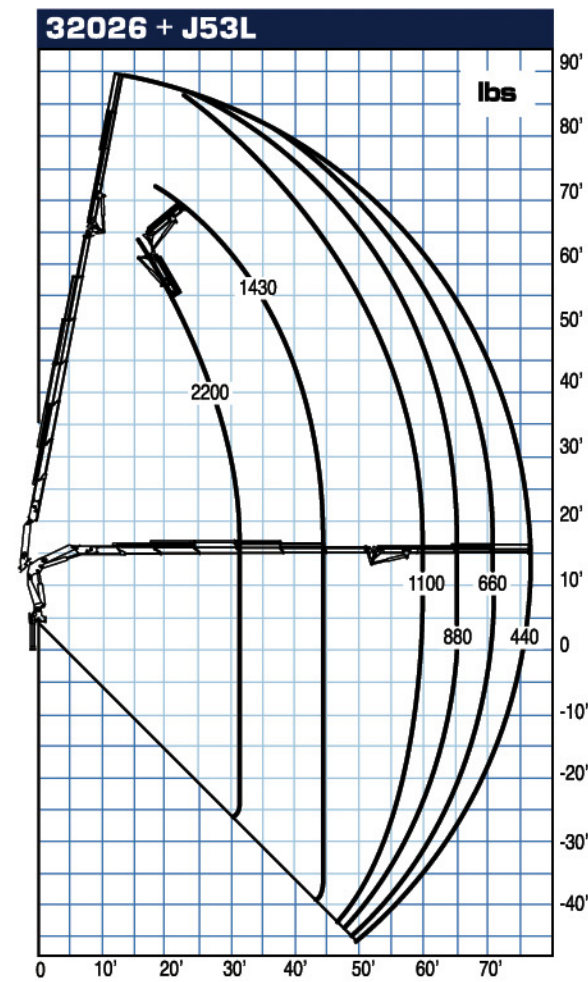
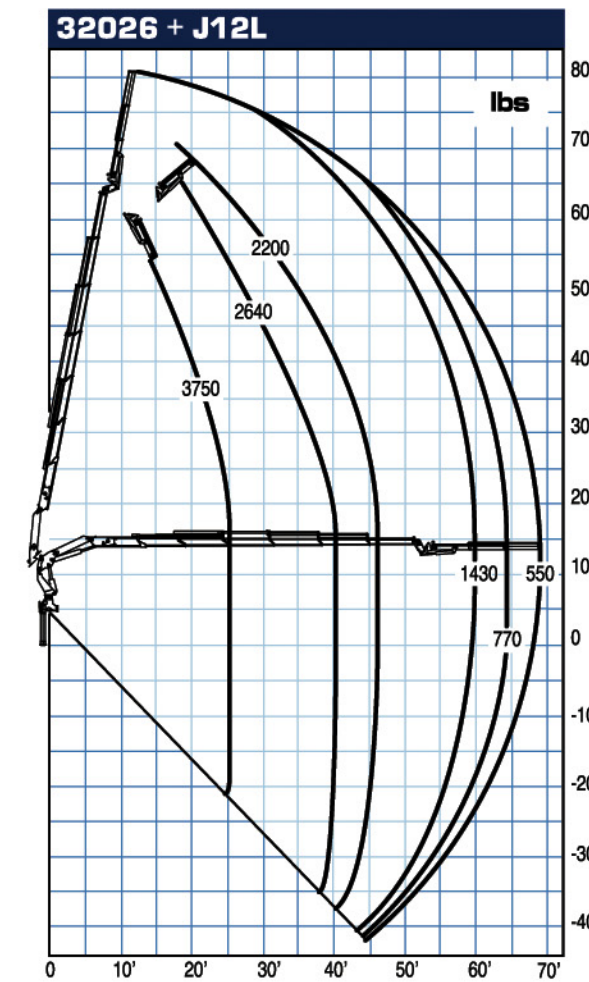
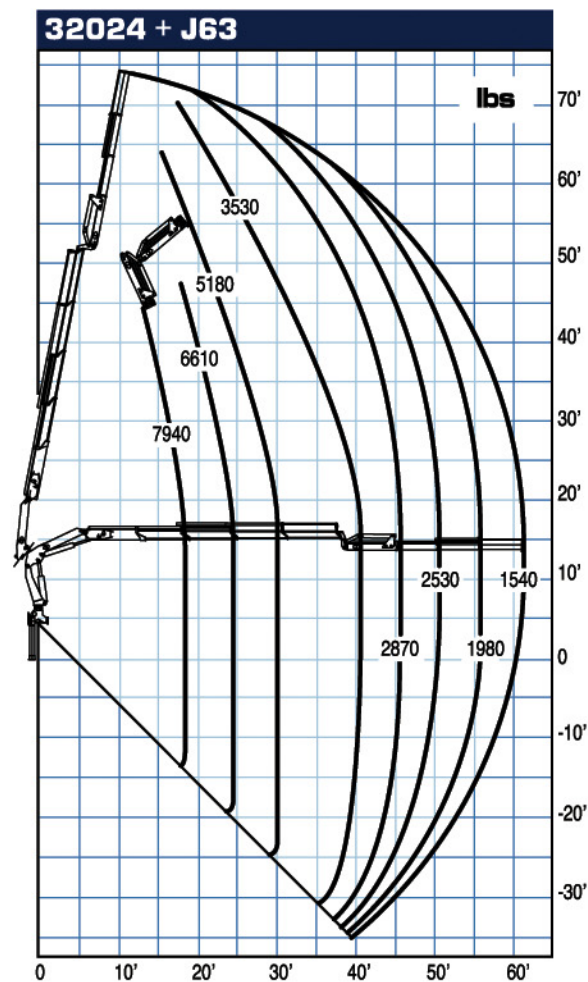
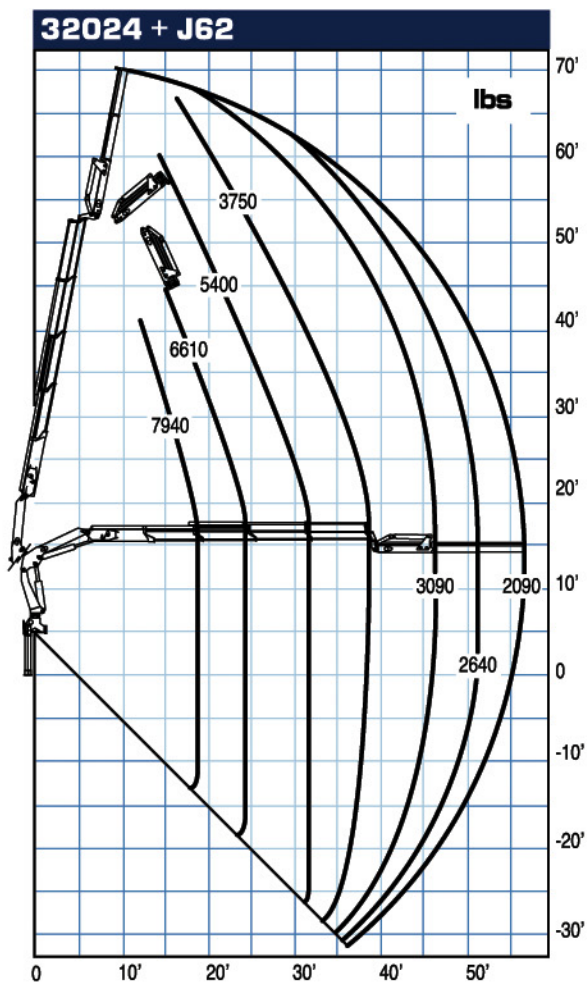
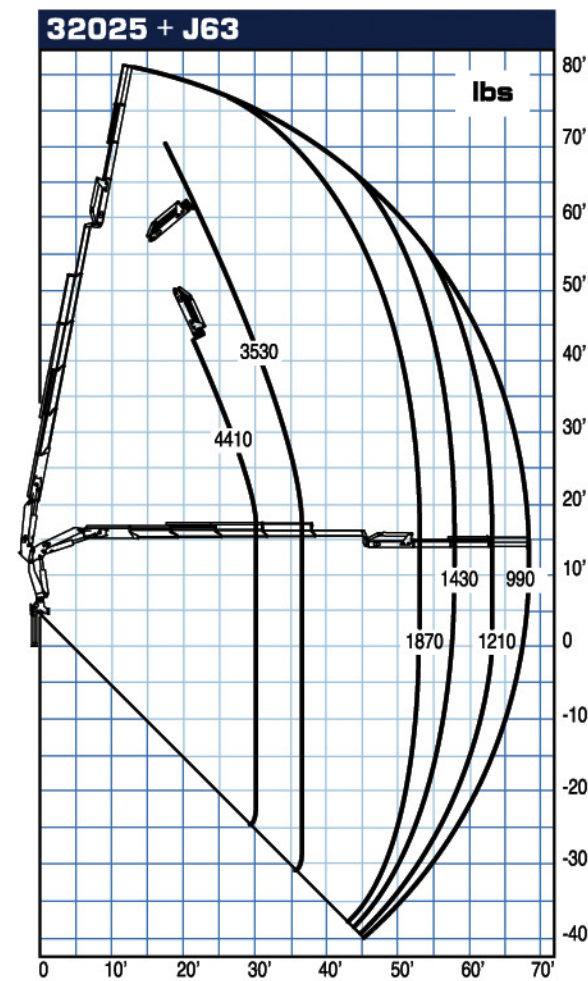
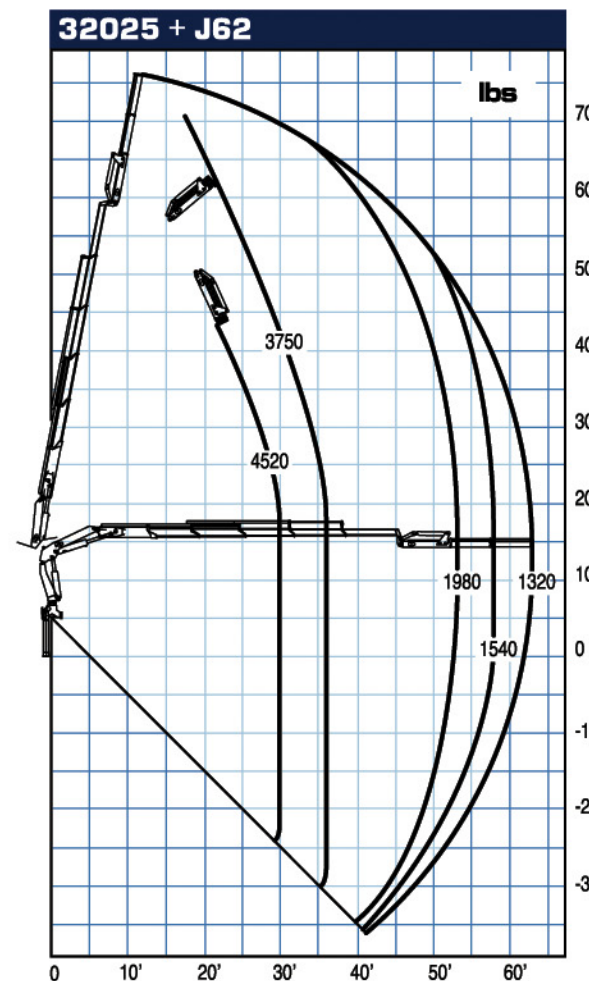
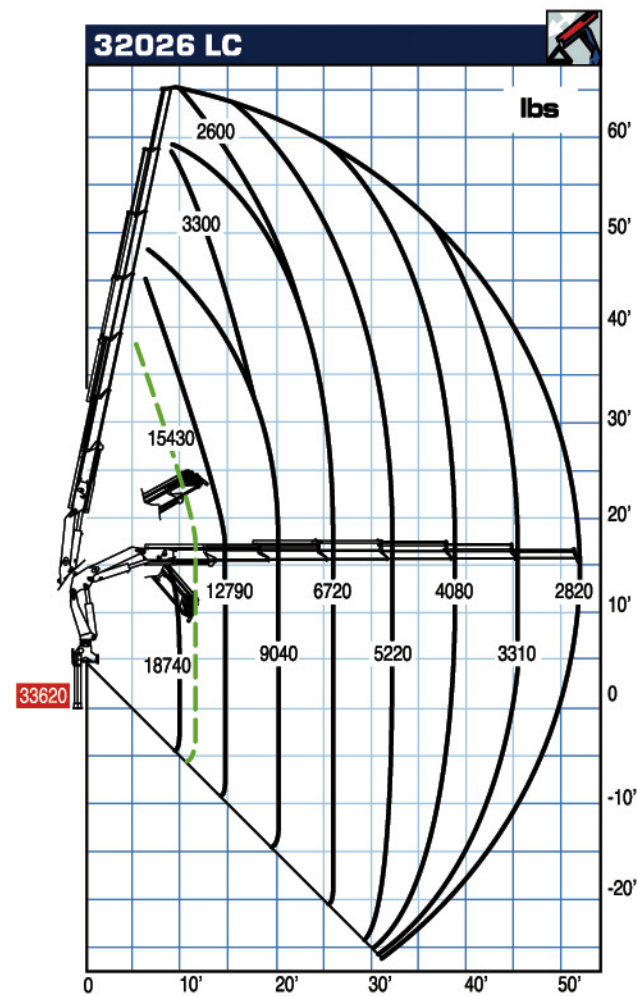
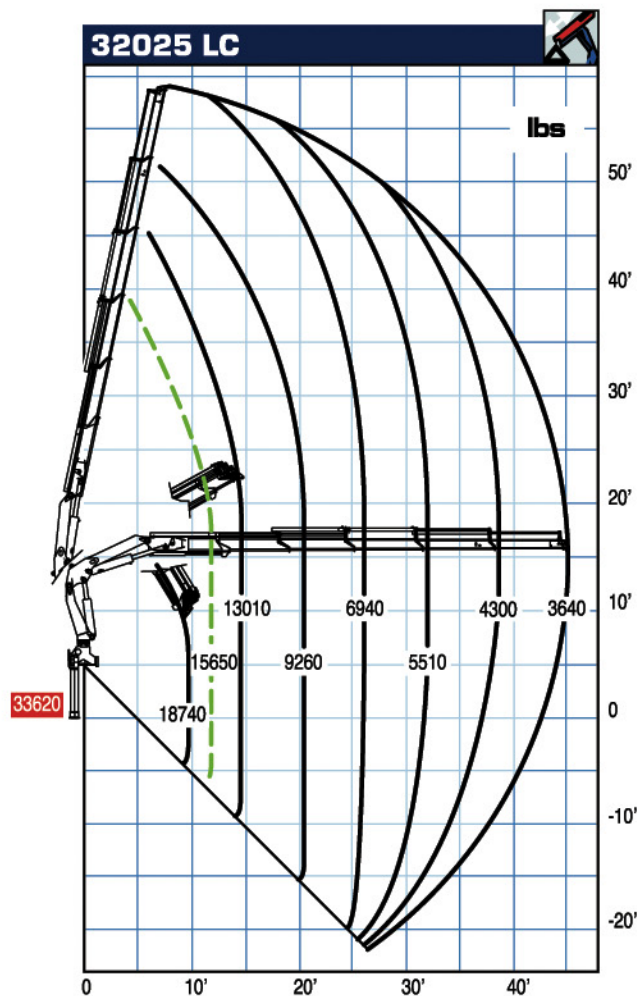
Slewing valve  
Kit bloqueo de rotación





Max. nominal capacity with fixed hook - Capacidad máxima en el gancho fijo  
 Max. capacity from horizontal to vertical - Capacidad máxima en posición vertical  
 Only LC crane version - Solo con grúa en versión LC





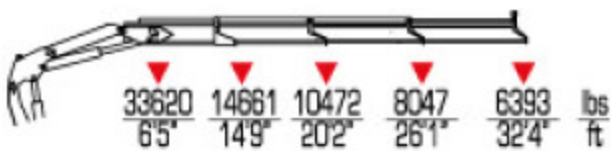




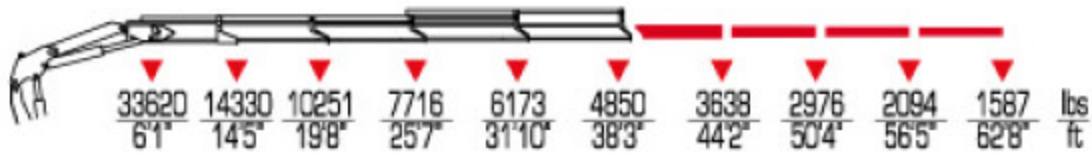
### 32022



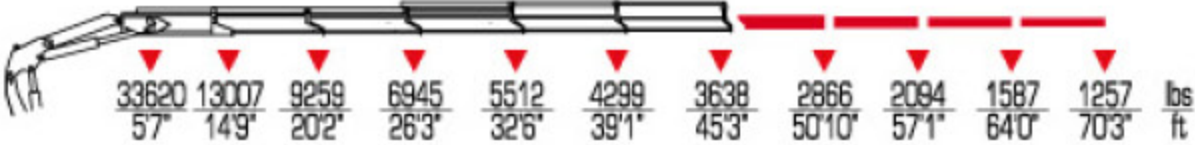
### 32023



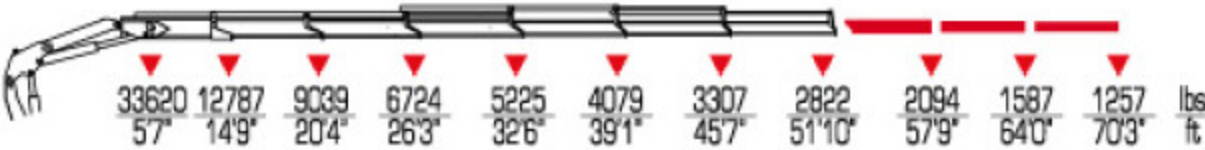
### 32024



### 32025



### 32026



### 32024 + J62



### 32024 + J63



### 32025 + J62



### 32025 + J63



### 32026 + J12L



### 32026 + J53L



#### KnuckleBoom 32 Ton Crane Models.

- KnuckleBoom 32 Ton Crane Model 32022 Max Lift 8157 Max Reach 26'3"
- KnuckleBoom 32 Ton Crane Model 32023 Max Lift 6393 Max Reach 32'4"
- KnuckleBoom 32 Ton Crane Model 32024 Max Lift 4850 Max Reach 38'3"
- KnuckleBoom 32 Ton Crane Model 32025 Max Lift 3638 Max Reach 45'3"
- KnuckleBoom 32 Ton Crane Model 32026 Max Lift 2822 Max Reach 51'10"

- KnuckleBoom 32 Ton Crane Model 32024 + J62 Max Lift 2094 Max Reach 55'9"
- KnuckleBoom 32 Ton Crane Model 32024 + J63 Max Lift 1543 Max Reach 61'2"
- KnuckleBoom 32 Ton Crane Model 32025 + J62 Max Lift 1323 Max Reach 62'8"
- KnuckleBoom 32 Ton Crane Model 32025 + J63 Max Lift 992 Max Reach 68'3"
- KnuckleBoom 32 Ton Crane Model 32026 + J12L Max Lift 550 Max Reach 68'11"
- KnuckleBoom 32 Ton Crane Model 32026 + J53L Max Lift 441 Max Reach 76'11"

Our cranes are comparable to all fassi, cormach, hiab, alfinger, atlas, amco veba, heila, jabco or imt cranes.

|                     | ft lbs | gals /min | Psi  | °   | lbs  | ST   | LC   |      |       |  |                     |
|---------------------|--------|-----------|------|-----|------|------|------|------|-------|--|---------------------|
| <b>32022</b>        | 226210 | 12        | 3990 | 410 | 7275 | 7584 | 8'2" | 7'8" | 3'5"  |  | <b>32022</b>        |
| <b>32023</b>        | 216450 | 12        | 3990 | 410 | 7606 | 7915 | 8'2" | 7'8" | 3'5"  |  | <b>32023</b>        |
| <b>32024</b>        | 206860 | 12        | 3920 | 410 | 7915 | 8223 | 8'2" | 7'8" | 3'5"  |  | <b>32024</b>        |
| <b>32025</b>        | 192040 | 12        | 3920 | 410 | 8223 | 8532 | 8'2" | 7'8" | 3'10" |  | <b>32025</b>        |
| <b>32026</b>        | 188780 | 12        | 3770 | 410 | 8510 | 8818 | 8'3" | 7'8" | 3'10" |  | <b>32026</b>        |
| <b>32024 + J62</b>  | -      | 12        | 3920 | 410 | 9149 | -    | 8'3" | 8'4" | 4'3"  |  | <b>32024 + J62</b>  |
| <b>32024 + J63</b>  | -      | 12        | 3920 | 410 | 9392 | -    | 8'3" | 8'4" | 4'3"  |  | <b>32024 + J63</b>  |
| <b>32025 + J62</b>  | -      | 12        | 3920 | 410 | 9458 | -    | 8'3" | 8'4" | 4'3"  |  | <b>32025 + J62</b>  |
| <b>32025 + J63</b>  | -      | 12        | 3920 | 410 | 9700 | -    | 8'3" | 8'4" | 4'3"  |  | <b>32025 + J63</b>  |
| <b>32026 + J12L</b> | -      | 12        | 3770 | 410 | 9171 | -    | 8'8" | 7'8" | 4'3"  |  | <b>32026 + J12L</b> |
| <b>32026 + J53L</b> | -      | 12        | 3770 | 410 | 9700 | -    | 8'8" | 8'1" | 4'3"  |  | <b>32026 + J53L</b> |